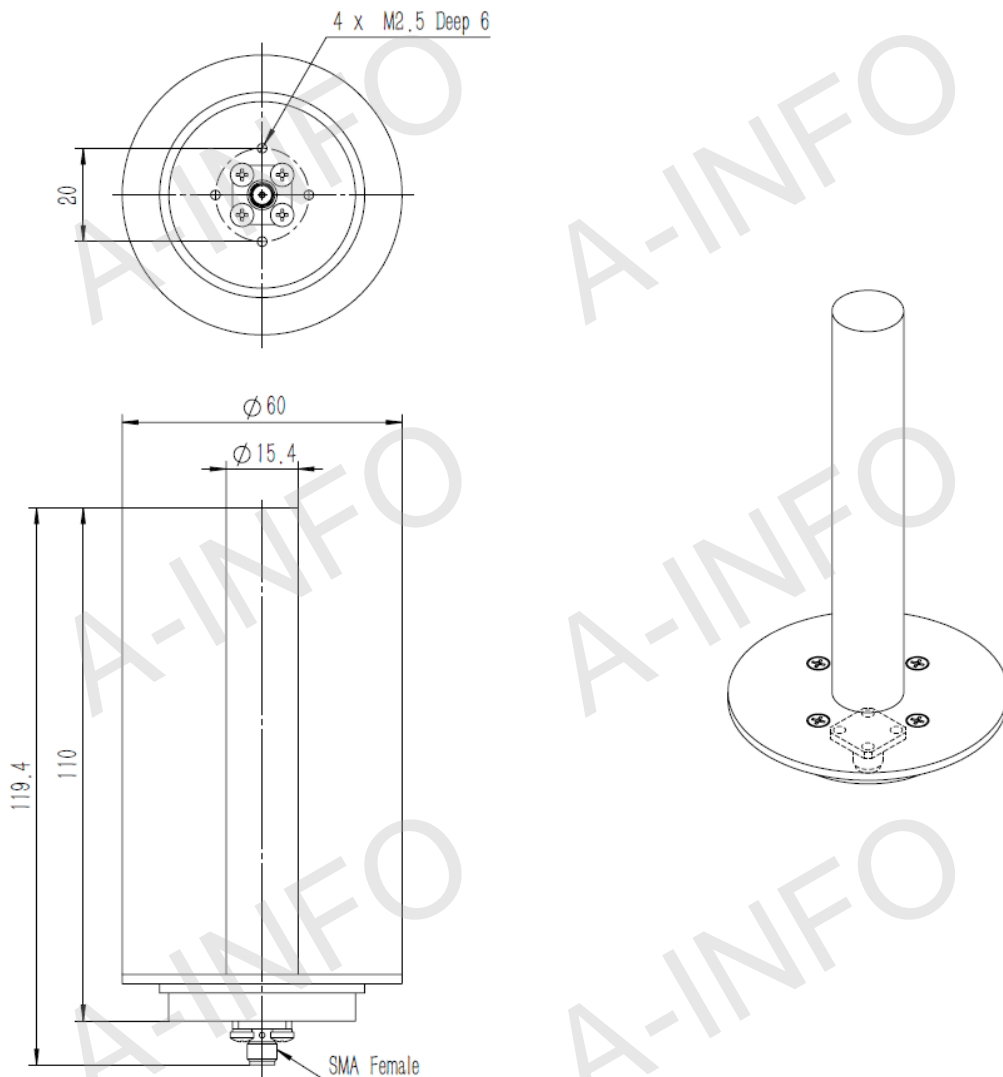


Technical Specification



Frequency Range(GHz)	9.0-10.0
Gain(dBic)	12 Min.
Polarization	RHCP or LHCP
Axial Ratio(dB)	2.0 Max.
3dB Beamwidth(deg)	E Plane: 30 Typ.
	H Plane: 32 Typ.
VSWR	2.0:1 Max.
Connector	SMA-Female
Power Handling(W)	10 CW
Material	Al
Size(mm)	Φ60 x 119.4
Net Weight(Kg)	0.07 Around

Outline Drawing (Size: mm)



AINFO Inc.

Page 1 of 4

China(Beijing):
China(Chengdu):
USA :

Tel: (+86) 10-6266-7326,
Tel: (+86) 28-8519-2786,
Tel: (+1) 949-639-9688,

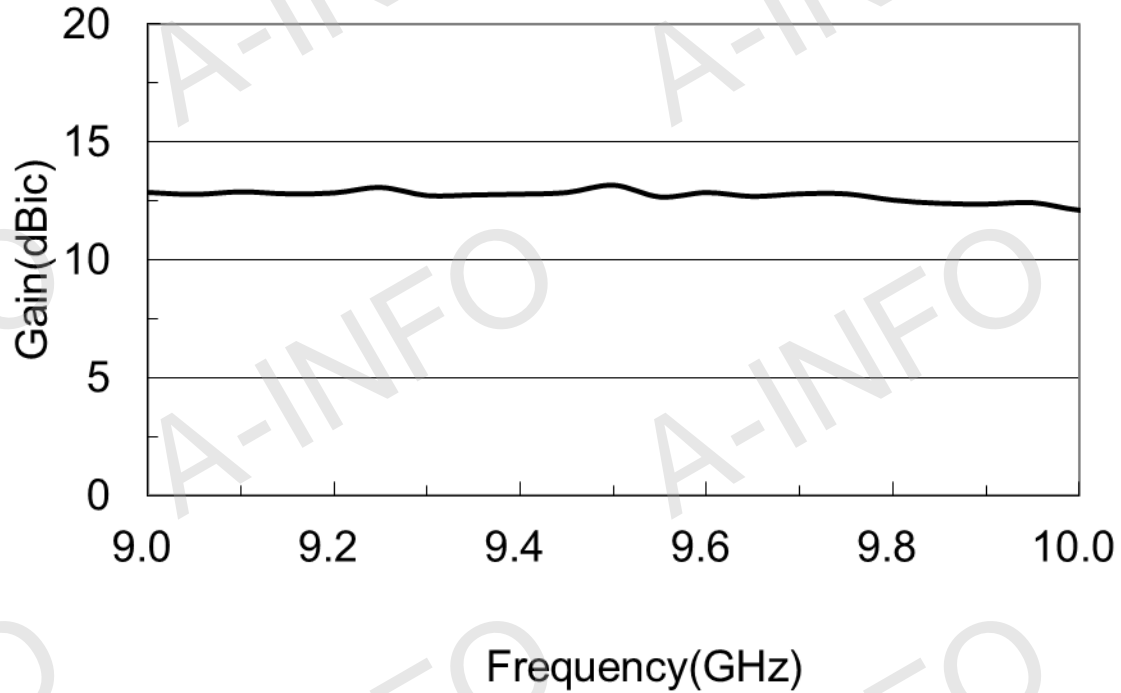
(+86) 10-6266-7327
(+86) 28-8519-3044
(+1) 949-639-9608

Fax: (+86) 10-6266-7379
Fax: (+86) 28-8519-3068
Fax: (+1) 949-639-9670

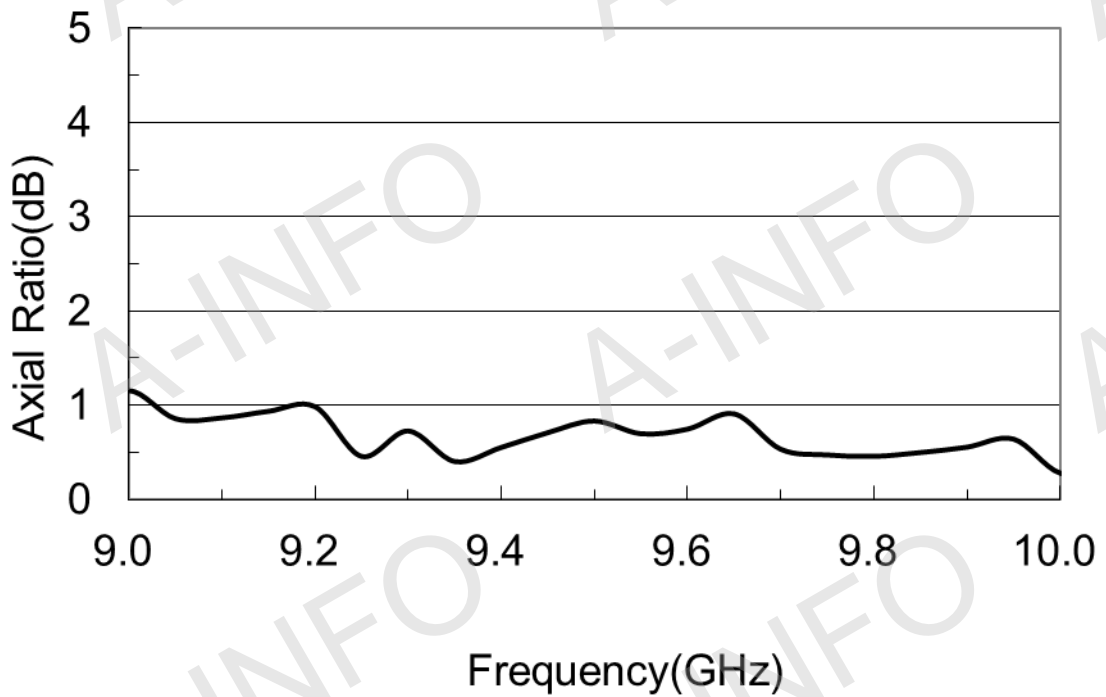
Website: www.ainfoinc.com
Email: sales@ainfoinc.com

Test Results

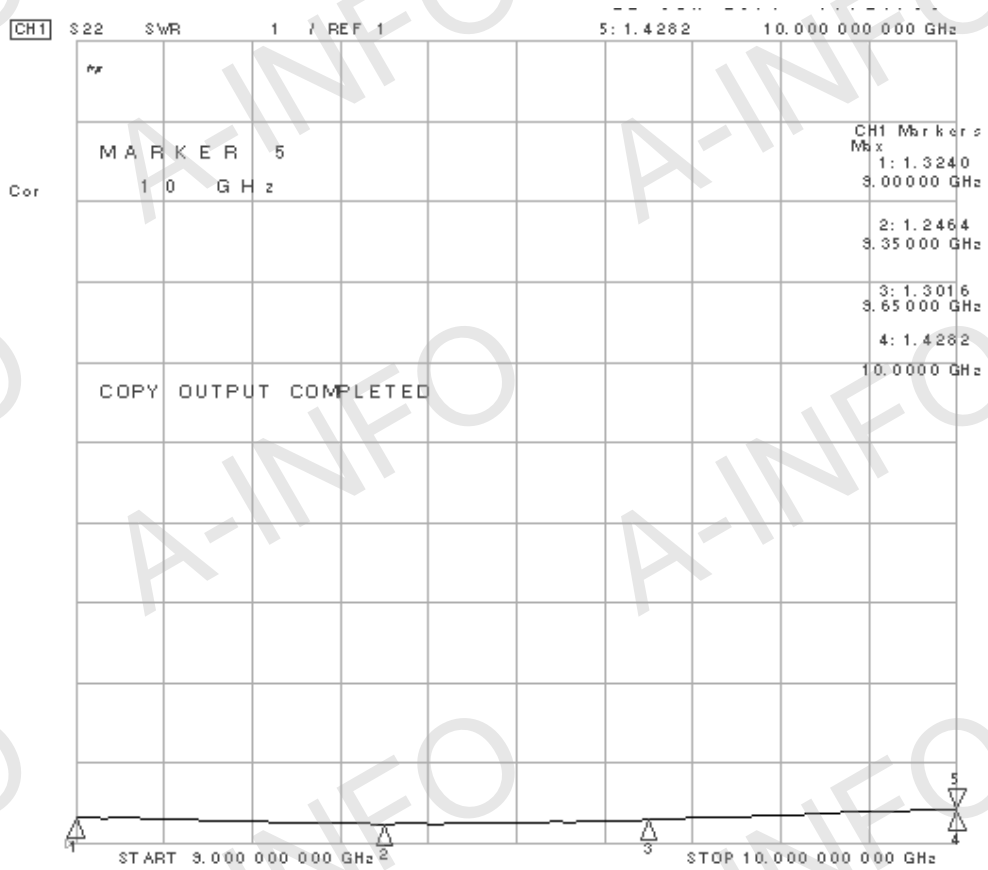
1. Gain



2. Axial Ratio



3. VSWR



4. Pattern

